



Varilux

ACOUSTIC MOVABLE WALLS

Designed for Space, Ease of operation, design and flexibility.

- Acoustic ratings ranging from 37-58 dB
- Design a wall that meets all of your specifications
- Unlimited stacking possibilities
- Meets your fire safety requirements



ACOUSTIC MOVABLE WALLS

DESIGNED FOR SPACE

Acoustic Properties:

The Palace 110S & XXL Sliders boast an impressive acoustic performance, offering a wide range of sound insulation from 37 to 58 dB. Furthermore, the Trancspalace model excels with a remarkable 46 dB of sound insulation. These exceptional levels of acoustic performance highlight the superior noise reduction capabilities of these products.

The Track System:

The track system employed by the Palace functions flawlessly, benefiting from the implementation of ball-bearing trolleys that allow for a smooth operation and provide an extensive range of stacking possibilities. As a result, this system not only offers exceptional performance but also proves to be highly user-friendly, ensuring effortless operation and ease of use. Its seamless functionality and versatile stacking options make it an ideal choice for various applications.

Operation System:

The Palace operation system offers remarkable flexibility, accommodating various preferences and needs. Whether it's manual cranking for hands-on control, semi-automatic convenience, or fully automatic ease of operation, the Palace provides all these options. This versatility ensures users can choose the configuration that best suits their specific requirements, guaranteeing a customizable and tailored experience.

THE PALACE 110S



THE TRANSPALACE



THE XXL SLIDER



Varilux

PALACE 110S

DESIGNED FOR SPACE



THE FLEXIBILITY AND EFFECTIVENESS OF THE PALACE 110S

Varilux Palace 110s acoustic movable walls are a flexible and effective way to create private spaces with high levels of acoustic insulation. They consist of individual panels that can be easily moved to create different layouts and room sizes, and are suspended from an overhead track. They are easy to maintain and clean, making them ideal for commercial and public spaces.

- Maximum height: 22 meters
- Maximum width: Unlimited
- Panel thickness: 110 mm
- Panel construction: Aluminium, Steel and Wood with your choice of surface finish
- Sound insulation: From 37 to 58 dB Rw (acoustic rating)
- Unprecedented design possibilities
- Panel finishes: Wide range of finishes available including vinyl, fabric, veneer, laminate, and painted surfaces
- Panel stacking options: Single suspension cross wise under track, Double Suspension U-parking into niche
- Panel suspension: Top hung from an aluminum track with ball bearing trolleys
- Panel sealing: Interlocking male-female profiles with a vertical EPDM rubber gasket
- Panel operation: Manual and Semi-automatic
- Fire resistance: Optional fire-resistant panels available with a fire rating of up to 60 minutes
- Sustainability: Panels and tracks are 100% recyclable
- Warranty: 5 year Limited Warranty

Varilux

TRANSPALACE

DESIGNED FOR FLEXIBILITY



THE AESTHETIC VALUE OF THE TRANSPALACE

The Varilux Transpalace system employs a series of individual panels mounted on a concealed overhead track, enabling them to be moved and rearranged to accommodate changing needs. These panels are equipped with glass panels, which not only adds aesthetic value but also provides excellent acoustic insulation for enhanced privacy and comfort making them perfect for meeting rooms.

- Maximum height: 3.5 meters
- Maximum width: Unlimited
- Panel thickness: 100 mm
- Panel construction: Aluminium self supporting Frame structure with Glass finish
- Sound insulation: 46 dB Rw (acoustic rating)
- Unprecedented design possibilities
- Panel finishes: Innumerable finish options, all glass treatments are applicable
- Panel stacking options: Single suspension cross wise under track, Double Suspension U-parking into niche
- Panel suspension: High quality rail and roller system without floor guides
- Panel sealing: Interlocking male-female profiles with a vertical EPDM rubber gasket
- Panel operation: Manual and Semi-automatic
- Fire resistance: Optional fire-resistant panels available with a fire rating of up to 60 minutes
- Sustainability: Panels and tracks are 100% recyclable
- Warranty: 5 year Limited Warranty

Varilux

XXL SLIDERS

DESIGNED FOR FLEXIBILITY



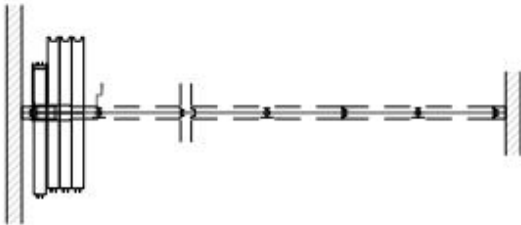
THE VERSATILITY OF THE XXL SLIDERS

Varilux XXL Sliders are perfect for creating enclosed spaces in small openings with limited space. They require less stacking space than other partition systems and are suitable for hospitals, schools, and offices. XXL Sliders are highly versatile and customizable, with options for glass panels that offer both acoustic insulation and aesthetic value.

- Maximum height: 15 meters
- Maximum width: 15 meters
- Panel thickness: 100 mm
- Panel construction: Aluminium, Steel and Wood with your choice of surface finish, viewing panels can be added
- Sound insulation: From 37 to 58 dB Rw (acoustic rating)
- Panel finishes: Wide range of finishes available including vinyl, fabric, veneer, laminate, and painted surfaces
- Panel stacking options: Pocket and Face Fix, single-end sliding, or double-end sliding
- Panel suspension: Top hung from an aluminum track with ball bearing trolleys
- Panel sealing: Magnetic strips and vertical EPDM rubber gaskets
- Panel operation: Manual or Semi-automatic
- Fire resistance: Optional fire-resistant panels available with a fire rating of up to 60 minutes
- Sustainability: Panels and tracks are 100% recyclable
- Warranty: 5 year Limited Warranty

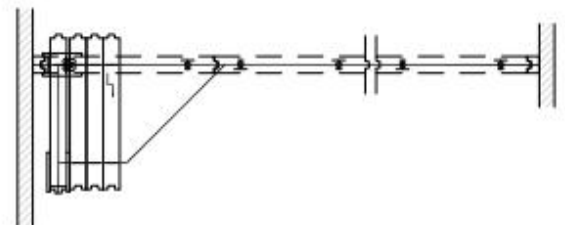
One-point Guidance (OG)

1



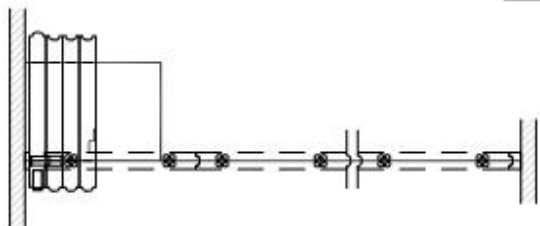
(Two-point) Forced-guidance (FG)

2



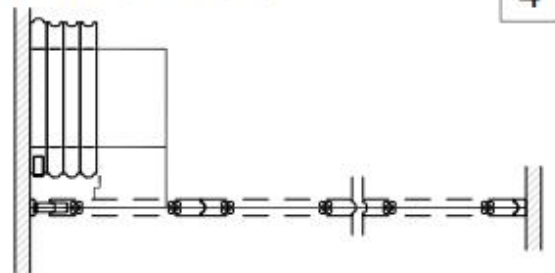
Two-point Cross guidance (CG)

3



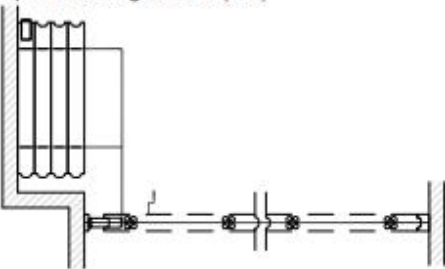
Two-point Cross guidance (CG)

4



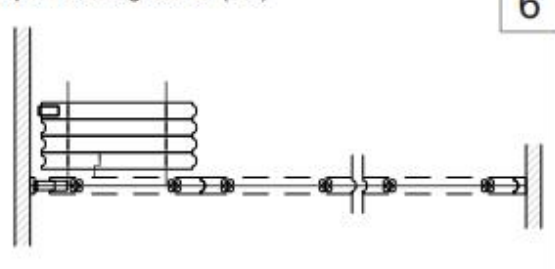
Two-point Cross guidance (CG)

5



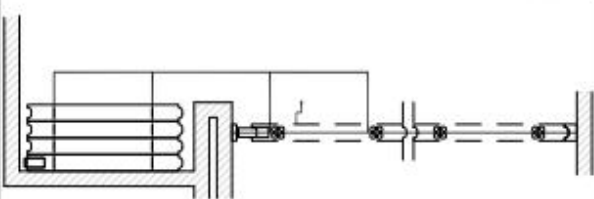
Two-point Cross guidance (CG)

6



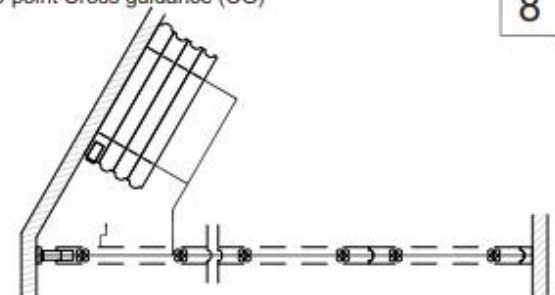
Two-point Cross guidance (CG)

7



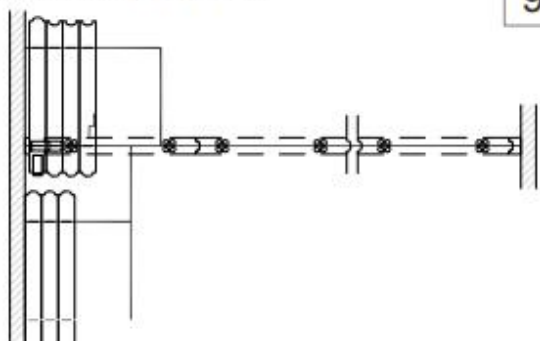
Two-point Cross guidance (CG)

8



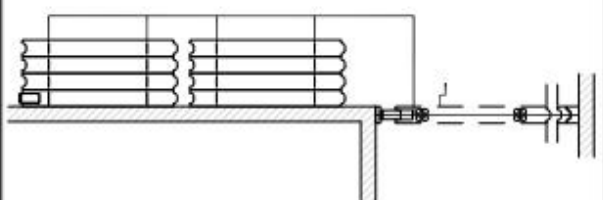
Two-point Cross guidance (CG)

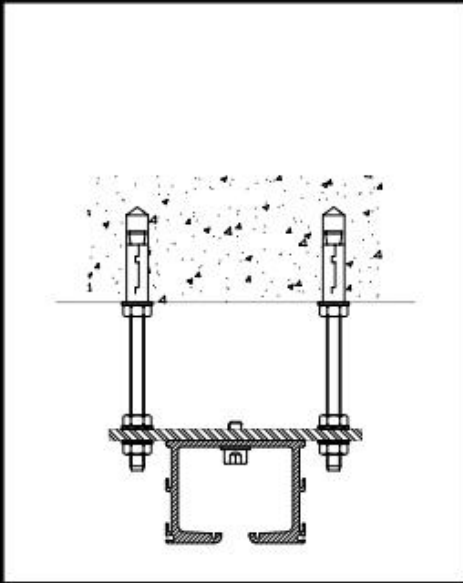
9



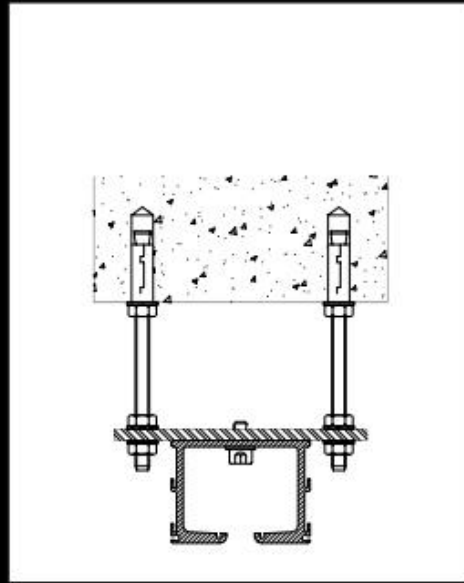
One-point Guidance (OG)

10

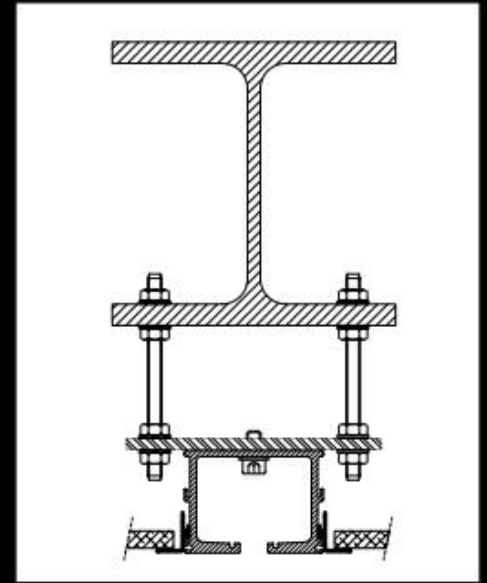




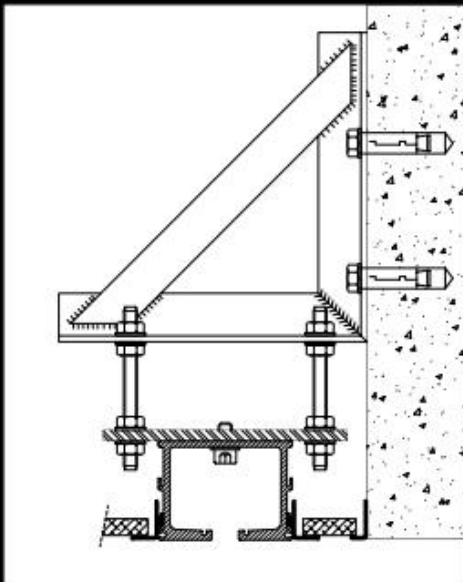
Fixed into soffit



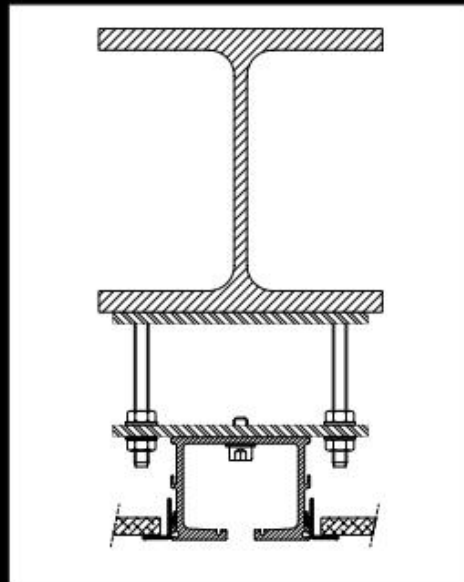
Fixed into downstand beam



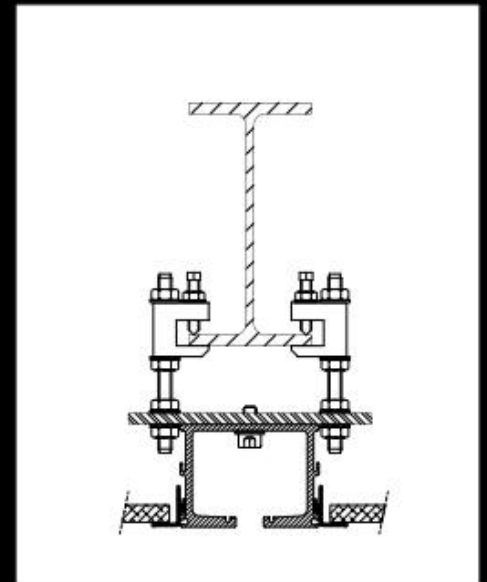
Fixed to I-beam



Fixed to A-frame

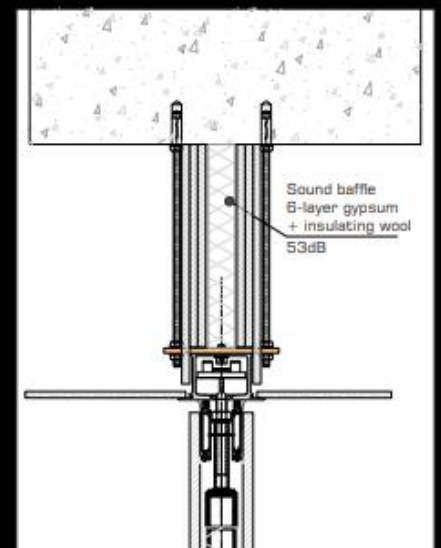
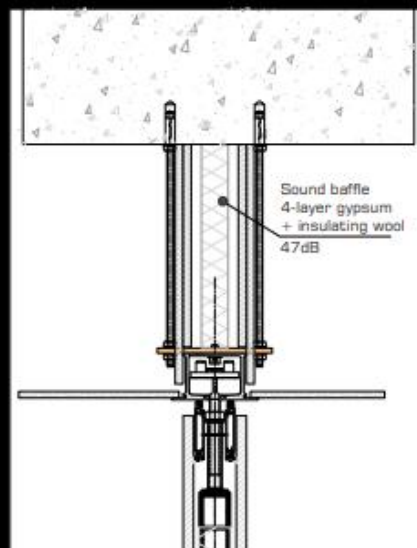
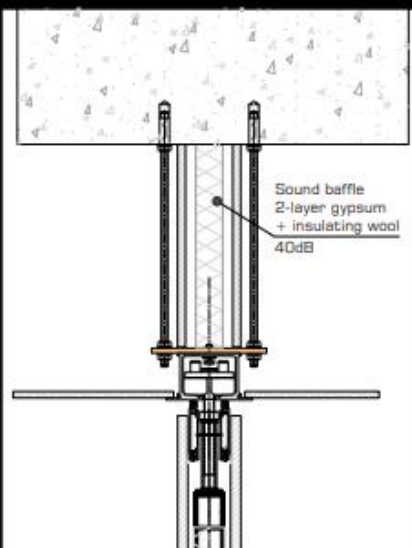


Welded to I-beam



Clamped onto I-beam

TYPICAL SOUND Baffles EXAMPLES



Available in Melamine & High Pressure Laminate (HPL)



H1137
Dark oak



H3702
Tobacco pacific walnut



H1733
Birch



H1511
Beech



H1334
oak



H1887
Maple



H1424
Woodline cream

Available in Melamine & High Pressure Laminate (HPL)



W980 (ST2)
Platinum white



W980(ST12)
White (wood grain)



W911
White painted



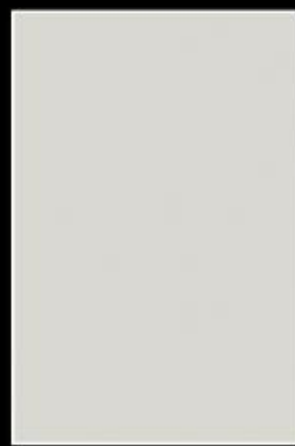
W1000
Premium white



U113
Beige



U156
Sand Beige



U708
Grey



U999
Black



F509
Aluminium

RECENTLY COMPLETED PROJECTS

Acoustic Movable Walls

Curro School, Durbanville

Newlands Cricket Grounds, Cape Town

Bex Group (Pty) Ltd, Stellenbosch

The Rockefeller Hotel, Cape Town

The Nex, Cape Town

Vodacom, Worcester

Betko, Villiersdorp

PWC, Ghana

Springfield Convent School, Cape Town

US AID, IBEX Hill, Lusaka

Paarl Girls High

Y2K Dominican School, Cape Town